

SOLID WOOD PANELING

Solid wood paneling has been used for centuries in elegant and rustic settings; it has withstood the test of time, outlasting every passing whim of fashion. It is beautiful when first installed, and still beautiful after years of use.

Pattern Selection

The eight patterns illustrated in the next column are a few of the many patterns available for use as paneling. Paneling patterns are often reversible, offering a choice of pattern and surface finish in a single pattern. WP-4 and WP-11, for example, are V-grooved on one side and square edged on the other. Other patterns may be smooth surfaced on one side and saw textured on the other. However, it is important to remember that when paneling is graded after manufacture, it is the patterned side which is inspected.

Most lumber dealers carry only a limited selection of paneling patterns in stock, but can order any of the standard patterns and some dealers will arrange to have a pattern of your choice custom-milled.

Patterns



BEADED CEILING



TONGUE & GROOVE CM



CHANNEL RUSTIC



PROFILE PATTERN WP-4



PROFILE PATTERNS WP-6



PROFILE PATTERN WP-2



PROFILE PATTERN WP-11



CV CEILING

Note: Numbers and letters under examples are pattern indications; refer to WWPA's *Standard Patterns* publication (G-16), for an illustrated list of all WWPA patterns.

Preconditioning

Solid wood paneling is a natural material; it responds to climatic change. Preconditioning, allowing the wood to adjust to on-site atmospheric conditions, is always desirable prior to installation as it allows the wood to become dimensionally stable for the conditions of its permanent location.

"Knotty grades can have a higher moisture content than the "clear" grades. When installed in a heated room, without preconditioning, paneling may be expected to shrink. This shrinkage will be minimized by conditioning the paneling prior to installation.

Interior construction which contains moisture-laden materials such as concrete, plaster or textured drywall, should be dry before paneling is delivered or installed. Masonry or concrete walls should be waterproofed prior to paneling installation.

It is a good practice to stack all paneling in the room where it will be installed, with separators between the layers, for a week to ten days prior to installation. Any grade may pick up moisture in transit or during storage and will need some preconditioning. If preconditioning is not feasible, use as narrow a width as possible in order to minimize dimensional change.

Priming and Sealing

Once the paneling has become dimensionally stable, it should be sanded and primed or prefinished prior to installation. Prefinishing can minimize objectionable lines where joint lines may appear later on.

Wood in kitchens, bathrooms, basements or other high moisture areas, should be protected. A suitable installation in these areas would include an application of sealer to front, back, ends and edges of each piece.

INSTALLATION

■ Over Drywall, Plaster or Hardboard

If walls are in moderately good condition, construction mastic is usually the easiest, fastest way to install solid wood paneling over drywall, plaster, hardboard — even old paneling. To apply, follow the adhesive manufacturer's directions.

To help tighten joints while gluing, tack through tongue into drywall or plaster every two to three feet. Use small nails to hold paneling in place until mastic sets.



■ Over Framed or Masonry Walls

Nail directly to the framing members in both horizontal and vertical applications. Vertical applications require furring strips 48" on center. (See Figures 1 and 2.)

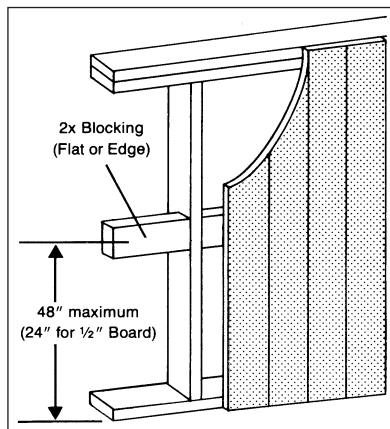


FIGURE 1: FRAMED WALL

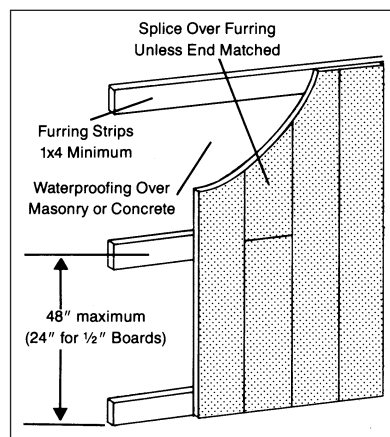


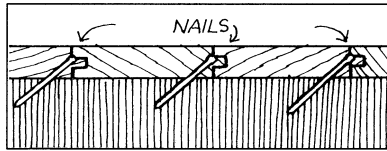
FIGURE 2: MASONRY WALL

NAILING

■ Tongue and Groove

Tongue and groove paneling in widths up to 8-inches wide is normally blind nailed through the tongue. This eliminates counter sinking and filling nail holes and will result in a smooth, blemish free surface. Blind nailing is particularly important when a natural or stained finish is intended.

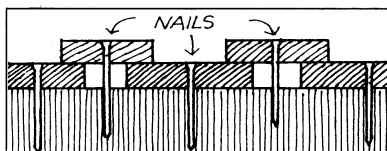
Select a finishing nail which is long enough to penetrate blocking or furring by at least 3/4-inch. Only one nail per bearing is necessary.



BLIND NAILING

■ Rustic Patterns

These patterns are difficult to blind nail and should generally be face nailed. Use 8d finishing nails when face nailing to furring strips or studs; on other surfaces, make sure nail is long enough to penetrate stud by at least 3/4-inch. Panels 6-inches or less require just one nail per bearing; for 8-inches or wider, use two nails per bearing. Do not nail through the overlapping joint as this restricts the necessary swelling and shrinking of the wood.



FACE NAILING

When nailing a board and batten pattern, fasten the under board with one 8d nail per bearing driven through the center of the "board." Underboards should be spaced approximately 1/2" apart. Drive one 10d nail per bearing through the center of the "batten" strip, so that the shank passes between the edges of the underboards. Widewidth boards, if not thoroughly seasoned, may require two nails per "board" in the board and batten sequence.

■ Additional information

Technical information on Western lumber products manufactured by WWPA mills is available through the Association's web site at www.wwpa.org. The site features sections on lumber grades, design values, specifications, properties and environmental information on Western lumber.

For a full description of technical publications available for purchase, go to the WWPA web site at www.wwpa.org.

G-16 - **Standard Patterns** — Reduced scale profiles of WWPA patterns in detail with actual dimensions.

560 - **Real Wood Interiors. A Design Workbook** — Ideas and finishing techniques.

A-2 - **Specifying Lumber** — Specifying information for rough carpentry and finished materials.

TG-5 - **Lumber Storage** — Lumber storage and handling for lumber mills, dealers and contractors.



Western Wood Products Association

1500 SW First Avenue Suite 870
Portland, OR 97201-5861
503/224-3930 Fax: 503/224-3935
e-mail: info@wwpa.org
web site: <http://www.wwpa.org>